

Code:

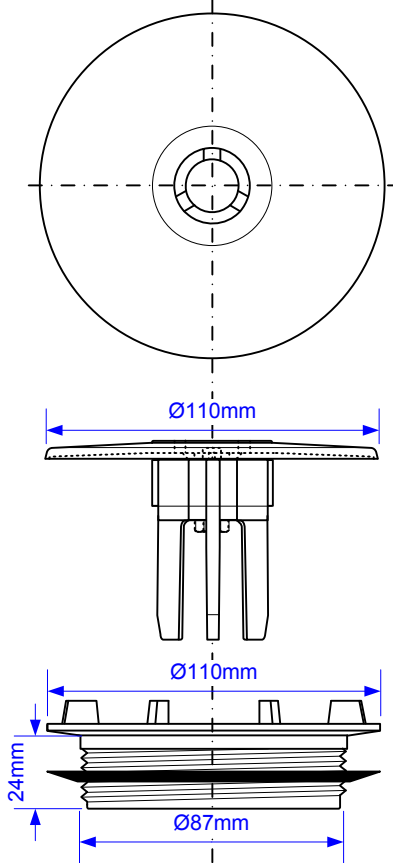
90mm x 50mm Traps

Height = 90mm, Flowrate = 50 l/min

MALPINE
Plumbing Products

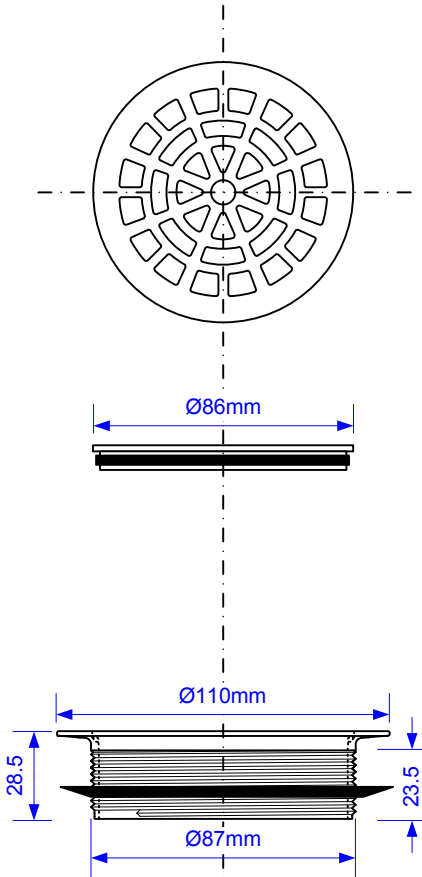
Grid and Flange dimensions for:

ST90CB10-HP
ST90CP10-HP
ST90WH10-HP



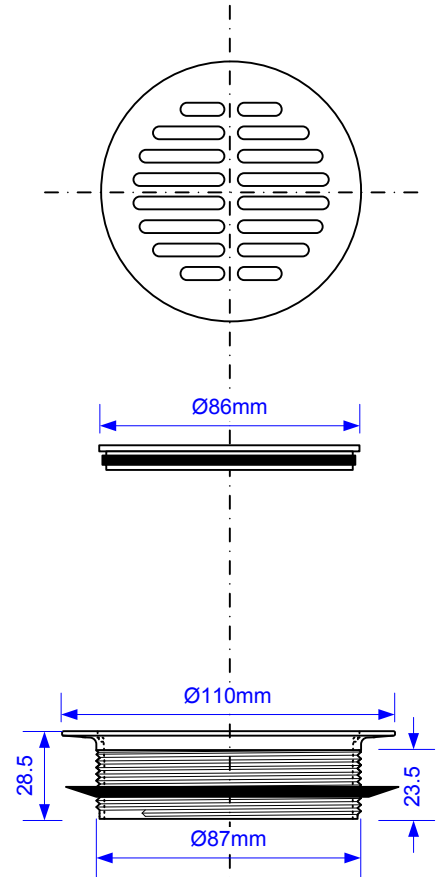
Grid and Flange dimensions for:

ST90CPB-P-HP

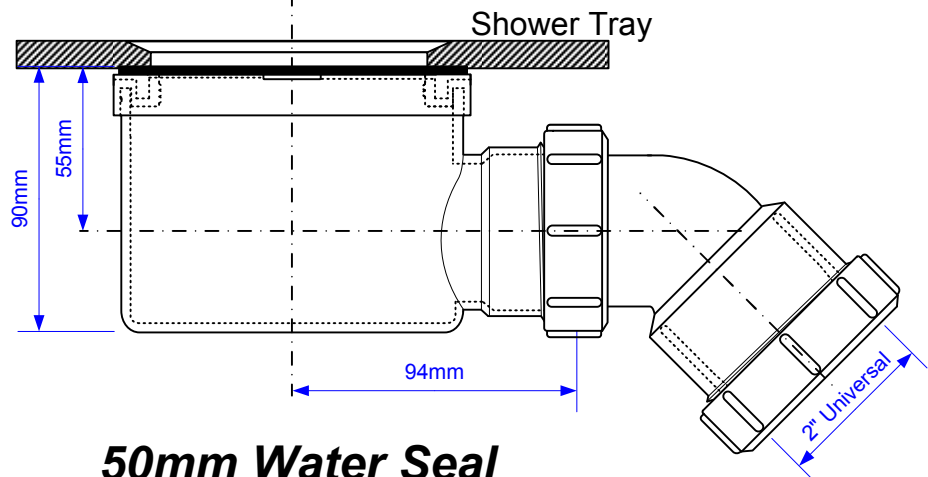


Grid and Flange dimensions for:

ST90CPB-S-HP



Each product
uses this
Trap Body



50mm Water Seal

Drawing verified
correct as of:

24/08/2017
RM

DRAWN BY
RM
SCALE
1: 2.5

REVISED

FILENAME
ST90XX10-HP RANGE.VSD
DATE
24/08/2017