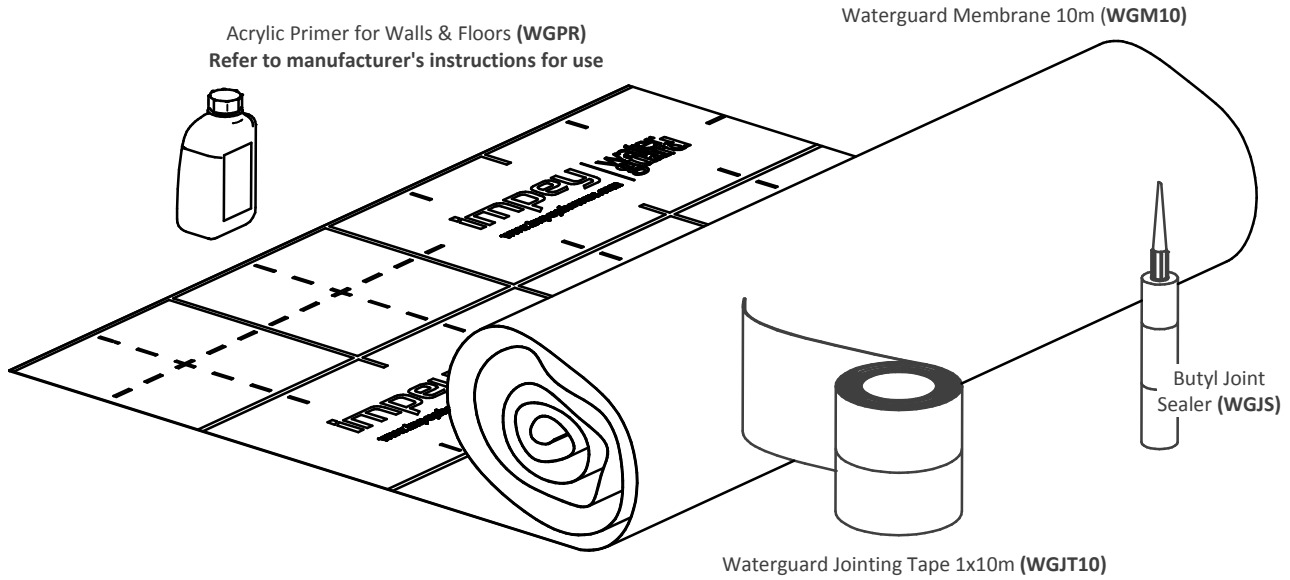
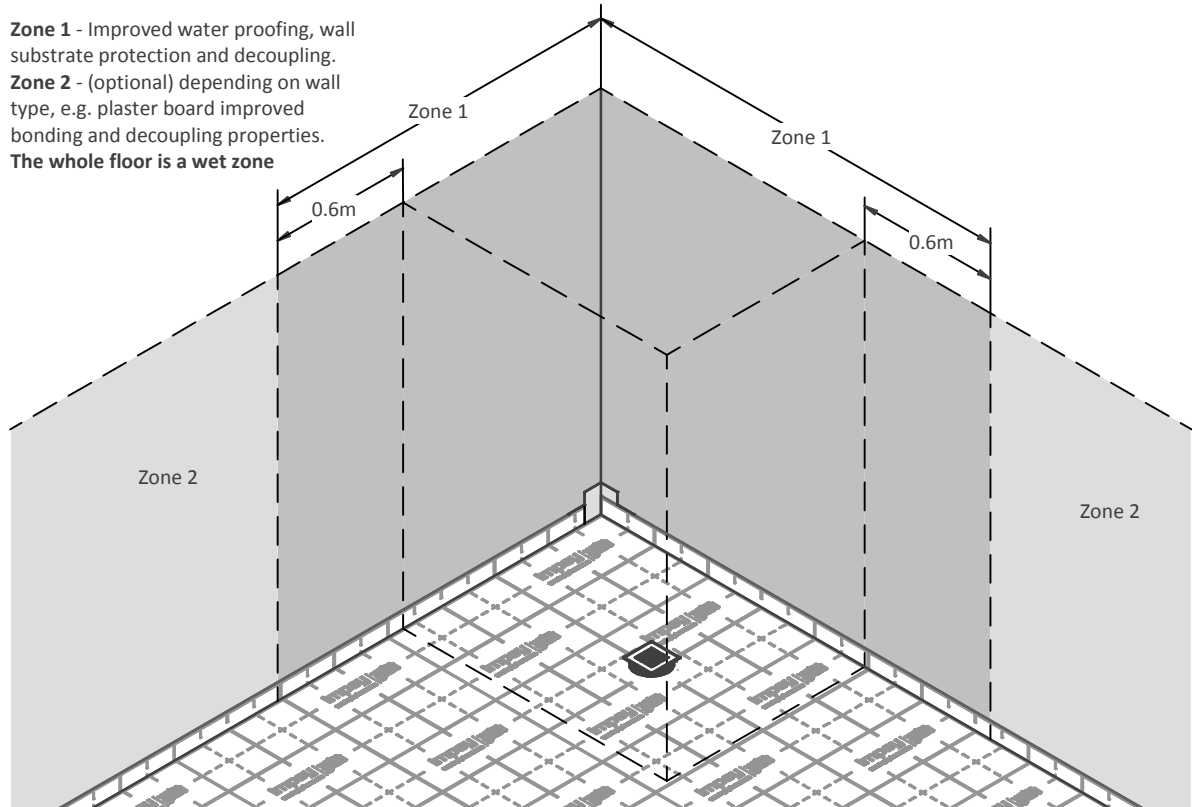


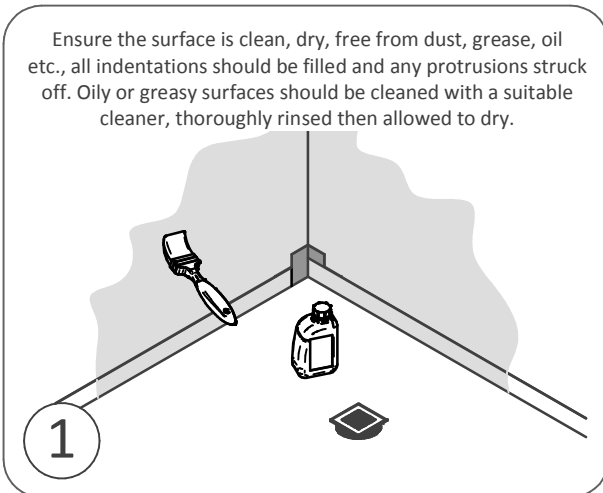
Installation Guide Waterguard Membrane for Walls WG10W



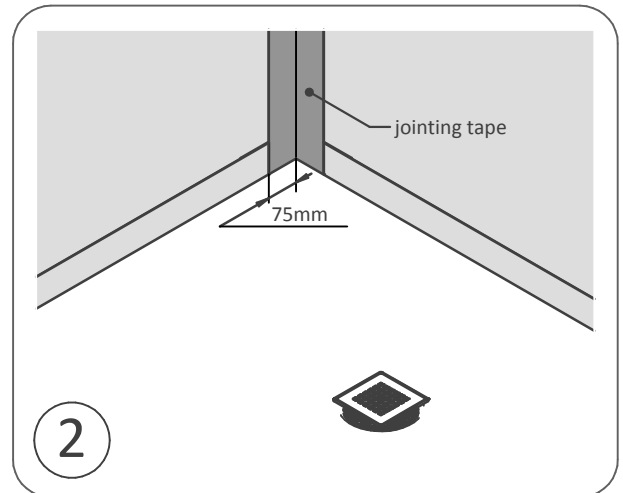
Zone 1 - Improved water proofing, wall substrate protection and decoupling.
Zone 2 - (optional) depending on wall type, e.g. plaster board improved bonding and decoupling properties.
The whole floor is a wet zone



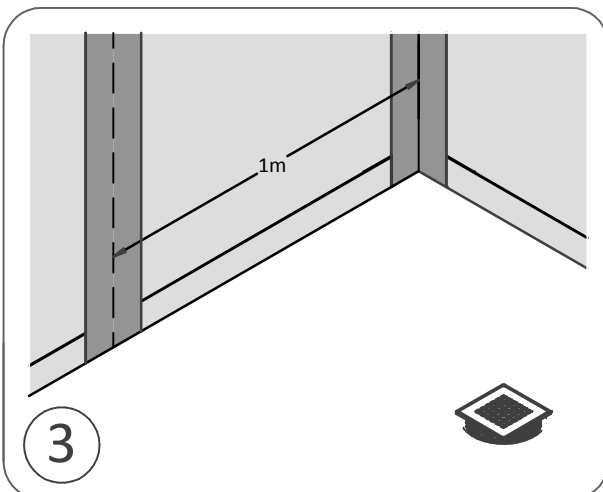
Ensure floor is covered with Waterguard Membrane before carrying out wall application.



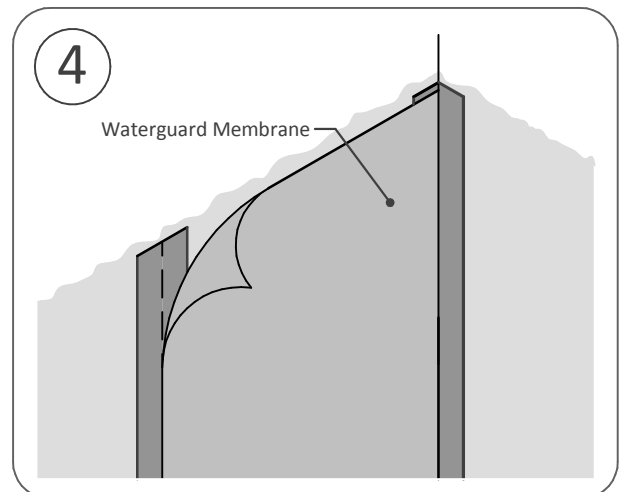
Apply the primer to the selected walls.



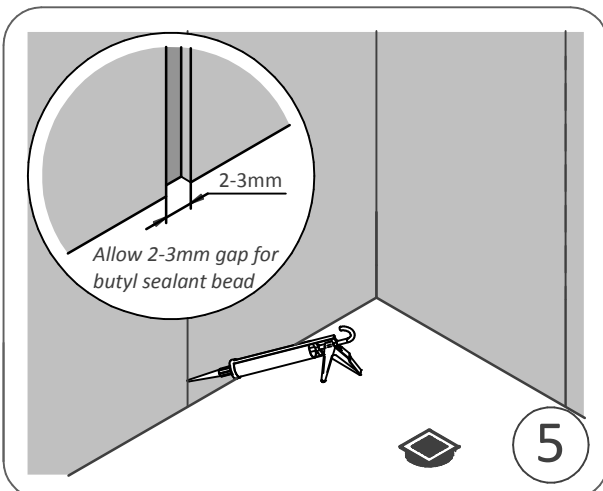
When primer is fully dry apply the 150mm jointing tape to all wall to wall interfaces as shown.



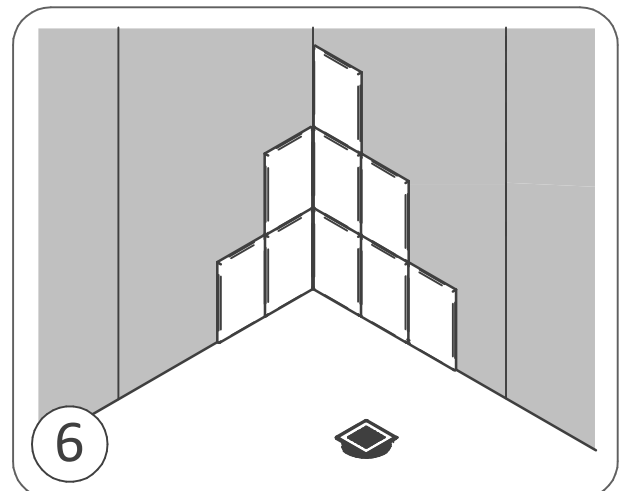
Measure 1m (the width of the sheet of Waterguard Membrane) and mark a guide line for the jointing tape. Removing the release paper set the tape down so that the guide line runs along the centre of the tape.



Measure and cut required length of Waterguard Membrane. Remove the release paper and carefully set into position - pressing firmly onto the jointing tape. Repeat steps 3 and 4 until the wall is covered.



Using an applicator gun, apply sealant at all wall to wall and wall to floor interfaces, pipe entries, etc. **Allow the sealant to cure before applying tile adhesive.**



Tile the walls in a normal manner.